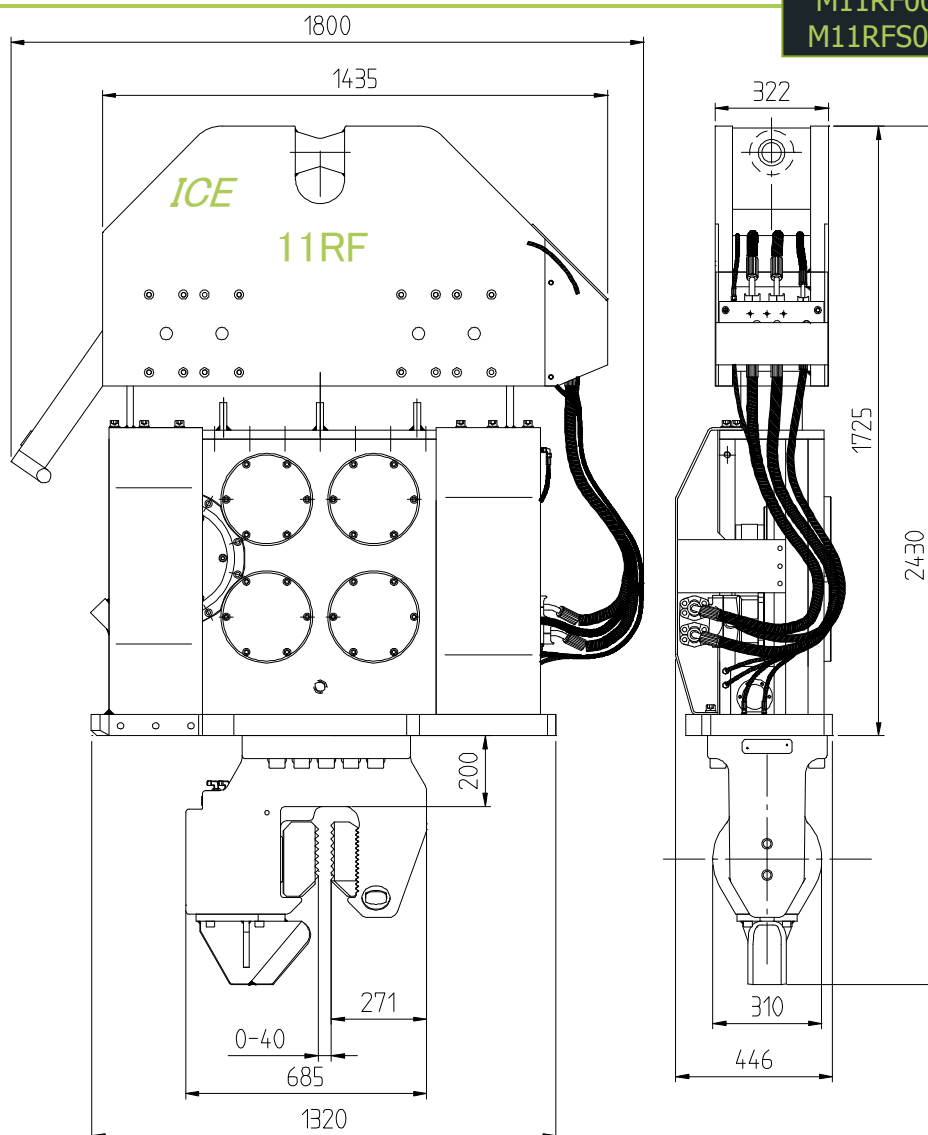


SPEC SHEET ICE 11RF & ICE 11RFs

ICE

INTERNATIONAL CONSTRUCTION EQUIPMENT

M11RF0012 / 0608
M11RFS0013 / 0608



| Specifications: | 11RFs | 11RF | | Clamps: | |
|----------------------------|---------|---------|-------|-----------|--------|
| Eccentric moment | 0-11.0 | 0-11.0 | kgm | Universal | 100TU |
| Max. centrifugal force | 0-666 | 0-666 | kN | Weight | 490 kg |
| Max. frequency | 2350 | 2350 | rpm | | |
| Max. amplitude excl. 100TU | 15.4 | 15.4 | mm | | |
| Max. amplitude incl. 100TU | 11.5 | 11.5 | mm | | |
| Max. static line-pull | 180 | 180 | kN | | |
| Max. hydraulic power | 140/191 | 189/256 | kW/HP | | |
| Max. operating pressure | 350 | 350 | bar | | |
| Max. oil flow | 240 | 323 | l/min | | |
| Dyn. weight excl. 100TU | 1425 | 1425 | kg | | |
| Dyn. weight incl. 100TU | 1915 | 1915 | kg | | |
| Total weight incl. 100TU | 2225 | 2225 | kg | | |
| Transport weight | 2500 | 2500 | kg | | |
| Hydraulic motor | 60 | 80 | cc | | |
| Powerpack | 200RF | 400RF | | | |

SPEC SHEET

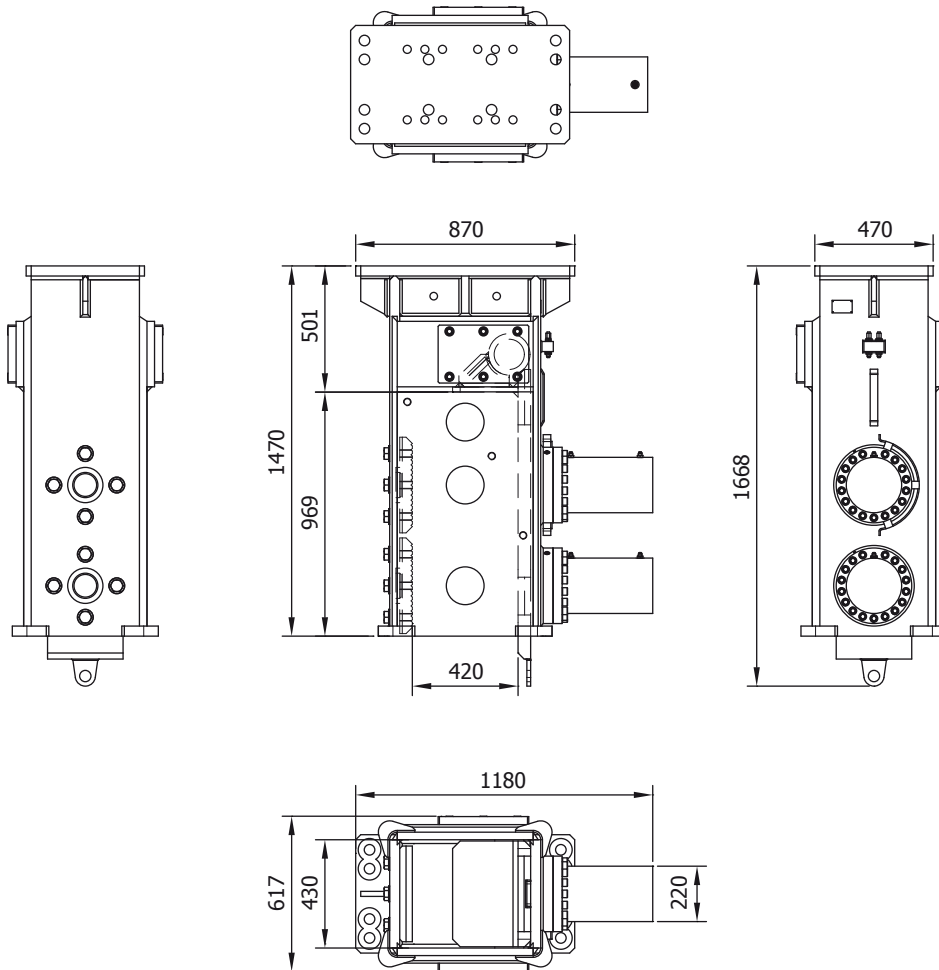
ICE 200 Series Power Packs



M200RF / 0212



| SPECIFICATIONS: | 200RF0005 | 200RF0006 |
|------------------------|----------------------------|---------------------------|
| Diesel engine | Caterpillar C6.6 ATAAC | Caterpillar C6.6 ATAAC |
| Max. theoretical power | 168/225 | 168/228 kW/HP (DIN) |
| Max. Frequency | 2100 | 2100 rpm |
| Max. Working pressure | 350 | 350 bar |
| Hydraulic pump | Bosch-Rexroth A11VLO130 | Parker PVplus140 |
| Max oil flow | 275 | 295 l/min |
| Diesel oil | 310 | 350 l |
| Hydraulic oil | 550 | 550 l |
| Weight (±) | 3750 | 3750 kg |



| Specifications | Technische Daten | Spécifications | Specificaties | Especificacions |
|------------------------|------------------|------------------------|----------------------------|---------------------|
| Pile clamp | Pfahl Klemmzange | Pince pôle | Palenklem | Abrazadera de polo |
| Clamping force | 1200 kN | Klemmkraft | Force de serrage | Klemkracht |
| Max. operating press. | 300 bar | Max. Betriebsdruck | Pression de travail max. | Max. werkdruk |
| Max. clamp open press. | 180 bar | Max. Druck Zange Offen | Pression pince ouvert max. | Max. klem open druk |
| Weight | 1650 kg | Gewicht | Poids | Gewicht |
| | | | | Peso |