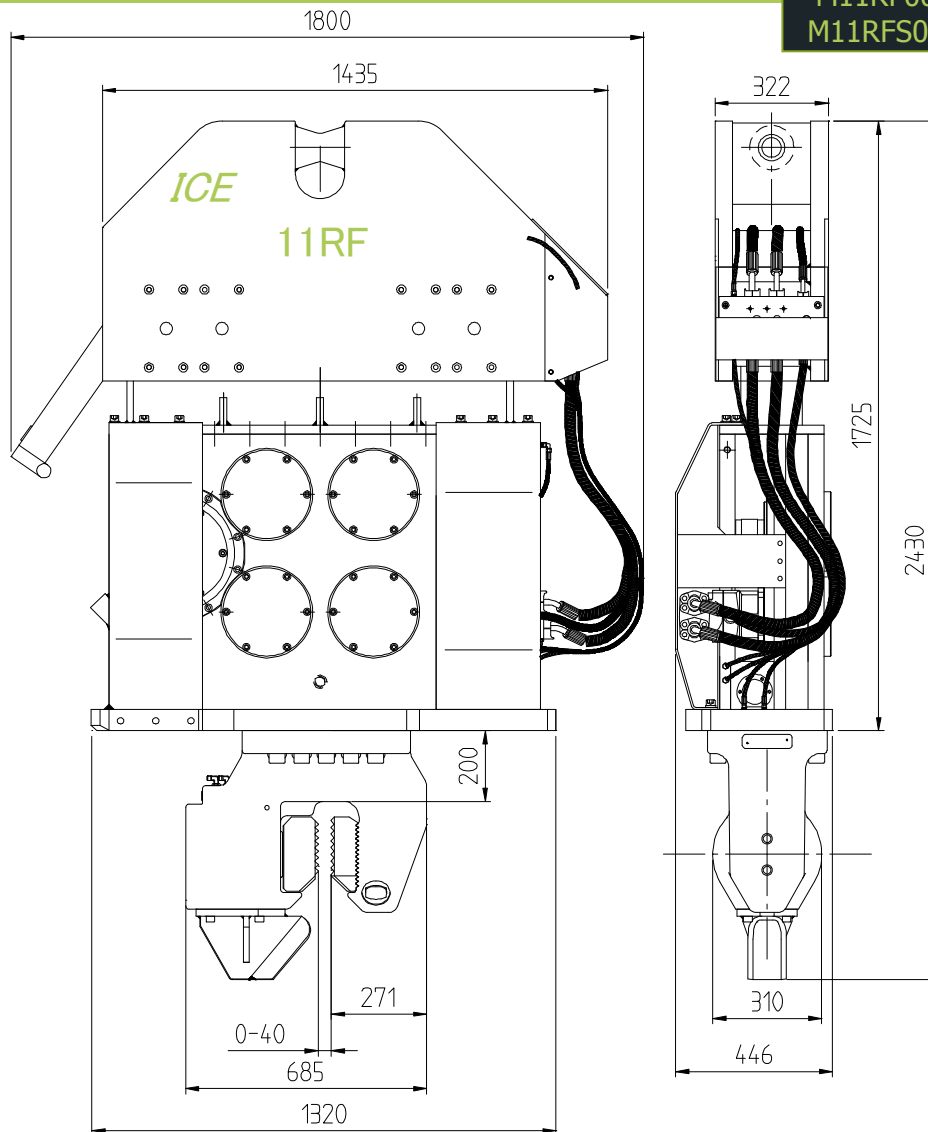


# SPEC SHEET ICE 11RF & ICE 11RFs

# ICE

INTERNATIONAL CONSTRUCTION EQUIPMENT

M11RF0012 / 0608  
M11RFS0013 / 0608



## Specifications:

	11RFs	11RF	
Eccentric moment	0-11.0	0-11.0	kgm
Max. centrifugal force	0-666	0-666	kN
Max. frequency	2350	2350	rpm
Max. amplitude excl. 100TU	15.4	15.4	mm
Max. amplitude incl. 100TU	11.5	11.5	mm
Max. static line-pull	180	180	kN
Max. hydraulic power	140/191	189/256	kW/HP
Max. operating pressure	350	350	bar
Max. oil flow	240	323	l/min
Dyn. weight excl. 100TU	1425	1425	kg
Dyn. weight incl. 100TU	1915	1915	kg
Total weight incl. 100TU	2225	2225	kg
Transport weight	2500	2500	kg
Hydraulic motor	60	80	cc
Powerpack	200RF	400RF	

## Clamps:

Universal	100TU	
Weight	490	kg

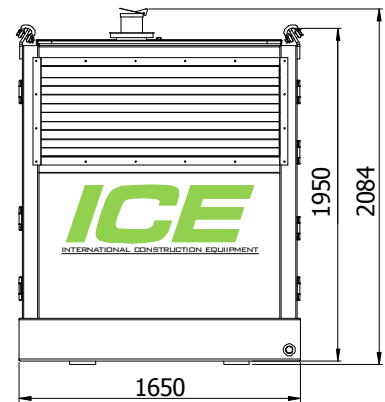
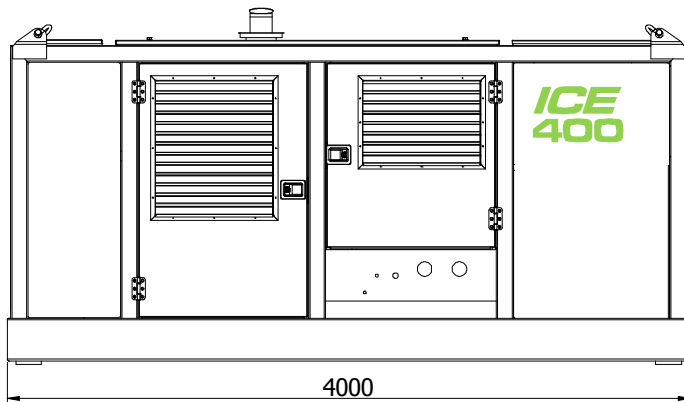
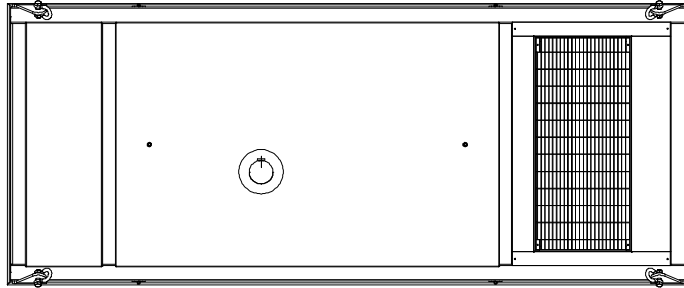
# SPEC SHEET

## ICE 400 Series Power Packs



INTERNATIONAL CONSTRUCTION EQUIPMENT

400 Series / 0212



### SPECIFICATIONS

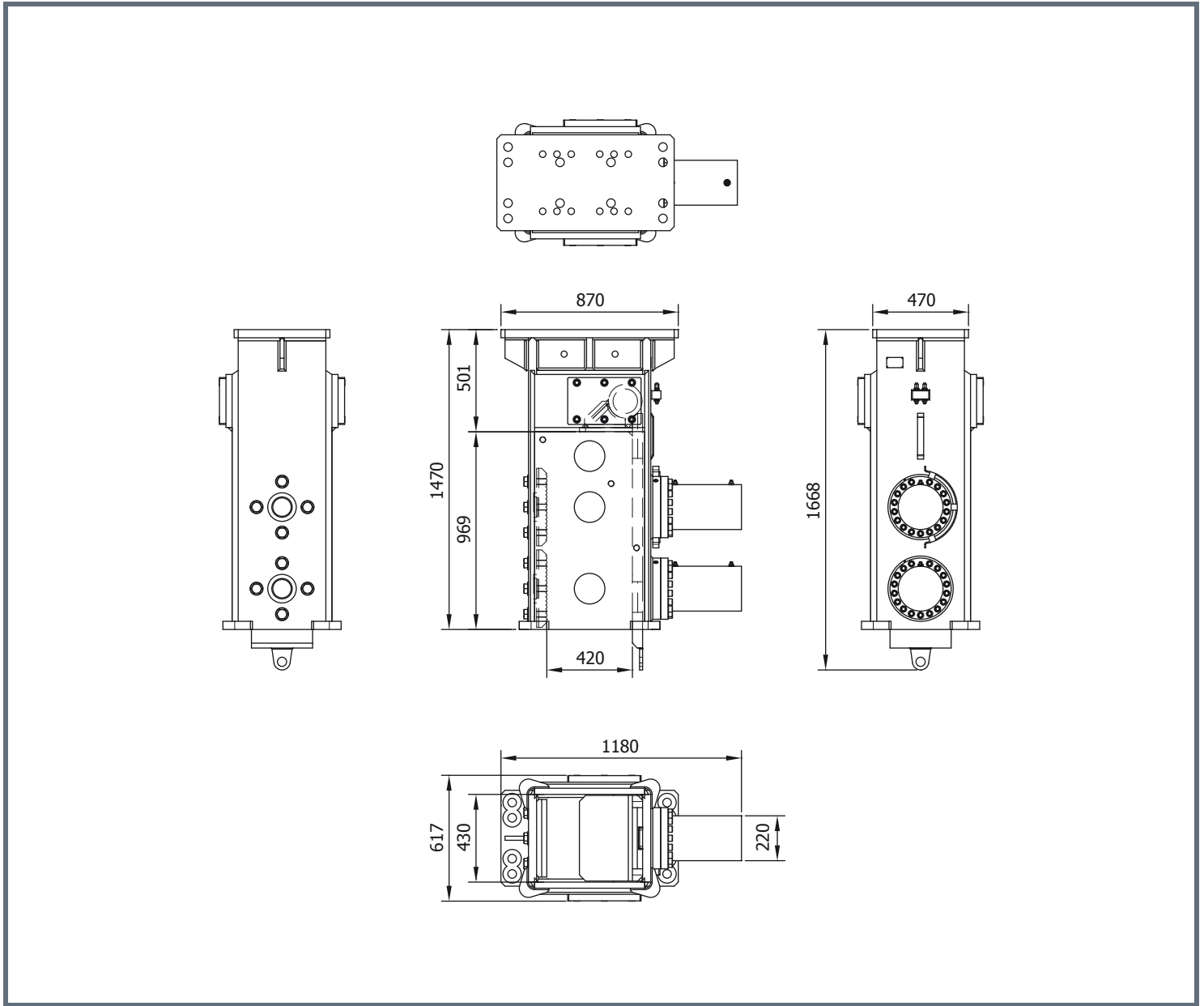
### 400RF0012

Diesel engine	Caterpillar C9 ACERT	
Max. theoretical power	242/329	kW/HP (DIN)
Max. Frequency	2200	rpm
Max. working pressure	350	bar
Hydraulic pump	Parker PVplus180	
Max. oil flow	396	L/min
Diesel oil	580	L
Hydraulic oil	1000	L
Weight (±)	6000	kg

# Specification Sheet

## ICE 120TP

### Pile Clamp



Specifications		Technische Daten	Spécifications	Specificaties	Especificacions
Pile clamp		Pfahl Klemmzange	Pince pôle	Palenklem	Abrazadera de polo
Clamping force	1200 kN	Klemmkraft	Force de serrage	Klemkracht	Fuerza de sujeción
Max. operating press.	300 bar	Max. Betriebsdruck	Pression de travail max.	Max. werkdruk	Presión máx. de trabajo
Max. clamp open press.	180 bar	Max. Druck Zange Offen	Pression pince ouvert max.	Max. klem open druk	Presión abrazadera aperto máx.
Weight	1650 kg	Gewicht	Poids	Gewicht	Peso