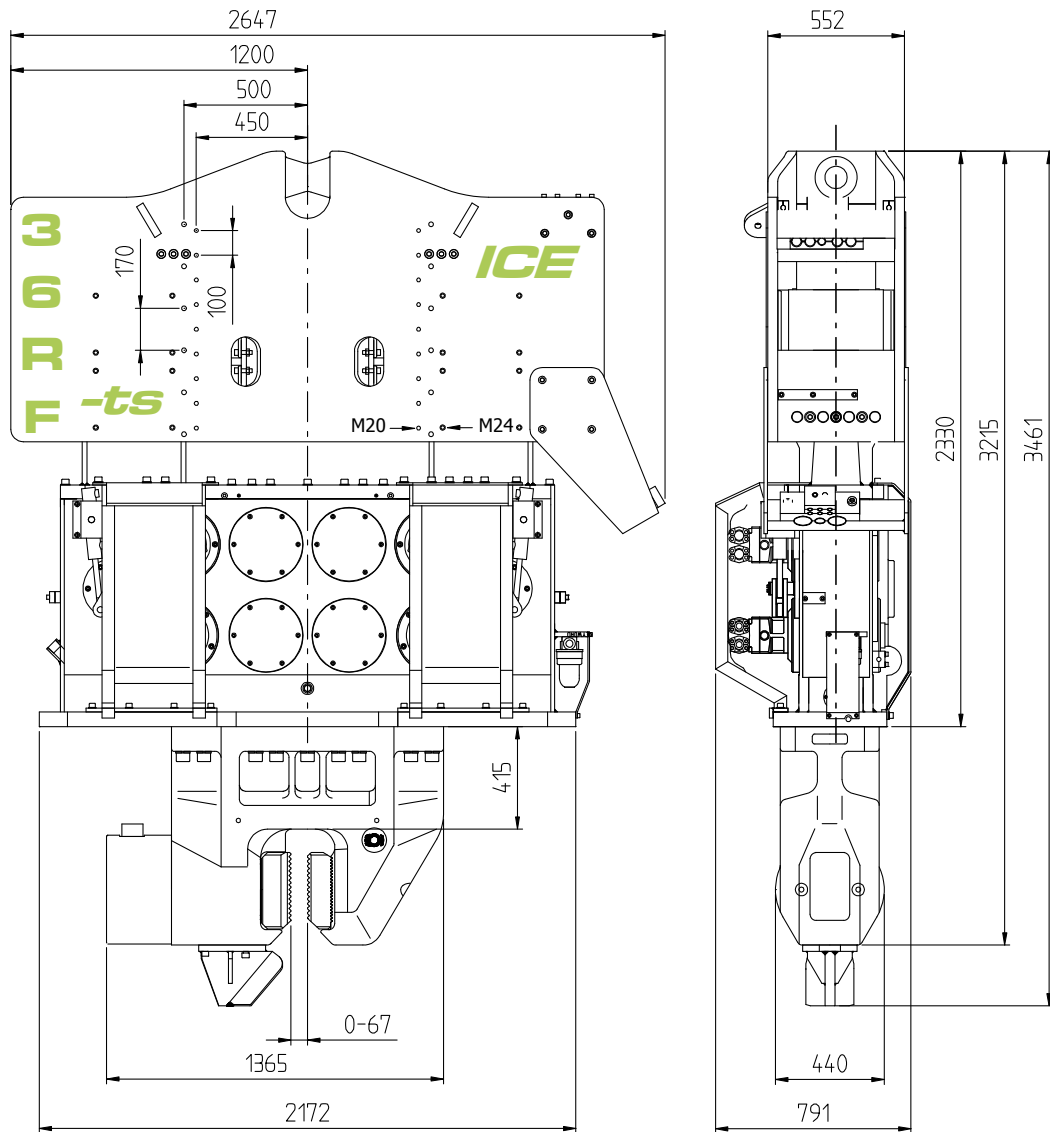


# SPEC SHEET ICE 36RF-ts

# ICE

INTERNATIONAL CONSTRUCTION EQUIPMENT

M36RFts0014 / 0608

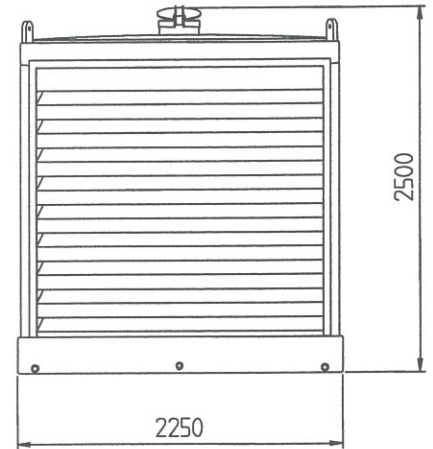
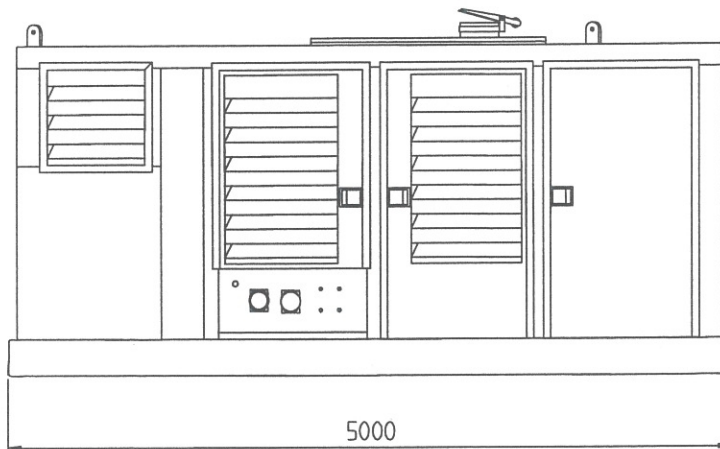
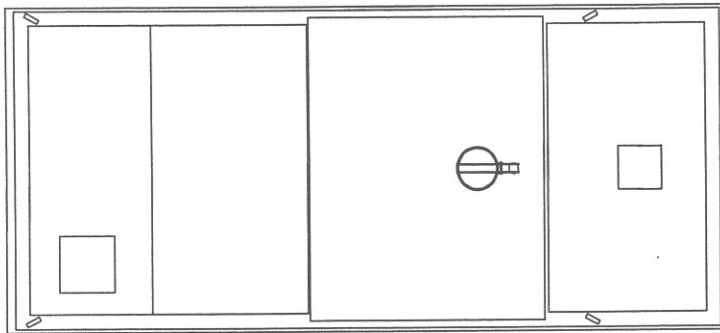


## SPECIFICATIONS

Eccentric moment	0-36.0	kgm		
Max. centrifugal force	0-2088	kN		
Max. frequency	2300	rpm		
Max. amplitude excl. 320TU	18.5	mm		
Max. amplitude incl. 320TU	11.3	mm		
Max. static line-pull	500	kN		
Max. hydraulic power	591/804	kW/HP		
Max. operating pressure	350	bar		
Max. oil flow	1013	l/min		
Dyn. weight excl. 320 TU	3900	kg		
Dyn. weight incl. 320 TU	6400	kg		
Total weight incl. 320 TU	8400	kg		
Transport weight	9300	kg		
			<b>CLAMPS:</b>	
			Universal	320TU
			Weight	2500 kg
			Caisson clamp	2 x 200TC
			Weight	4000 kg
			<b>POWERPACK:</b>	
			Model	1000RF
			<b>FORCED LUBRICATION:</b>	
			Max. oil flow	29 l/min



# info 1000 PP/RF



## Specifications

Diesel engine	:	Caterpillar 3412E
Max. theoretical power	:	746/1000 kW/PK (DIN)
Max. frequency	:	2100 rpm
Max. working pressure	:	340 bar
Hydraulic pump	:	2 x Rexroth A11VLO260
Max. oil flow	:	1090 L/min
Diesel oil	:	1200 L
Hydraulic oil	:	2500 L
Weight	:	± 12.500 kg